



2020

RAFFSTORE



## How to choose the right shading?

### ASPECTS OF PLANNING TO CONSIDER

#### ■ THE FUNCTION OF THE ROOM OR PLACE WE WANT TO SHADE

(bedroom, office, living room, etc.) Aspects: Do we need increased light blocking; is it needed to reflect as many light on the sealing as possible. This can be influenced with the different kind of lamella-types.

#### ■ HOW MUCH WIND DOES THE BLIND HAVE TO ENDURE?

This will be determined by the lamella-types and the guiding of the lamella.

#### ■ VISIBLE OR HIDDEN BLIND-COVER OR CASE-SYSTEM IS REQUIRED?

(under plaster, or under facade cladding) This has to be determined by the architectural features and the structural components of the building.

#### ■ MANUAL, OR MOTORIZED OPERATION?

(if motorized then with wired switch or remote control) This will effect the electrical installation and planning.

#### ■ IS A GROUP CONTROL OR A WIND-SENSOR REQUIRED?

(maybe other intelligent control-system) This will effect the electrical installation and planning.

#### ■ IS A MOSQUITO-NET REQUIRED?

If yes then what kind: fixed with a frame, vertically operated mobile mosquito-net or horizontally operated pleated mosquito-net.

#### ■ IT IS IMPORTANT TO CONSIDER THE MINIMUM AND MAXIMUM POSSIBLE DIMENSIONS OF THE DIFFERENT SYSTEMS!

Minimum width by the exterior blinds: 60 cm; maximum width: 500 cm. Minimum height by exterior blinds 50 cm; maximum height: 400 cm. The minimum required depth for the installation of external blind is 13 cm (if a mosquito-net is also required then 15,5 cm).

#### ■ IS THERE ANY OBSTACLE WHICH IS IN THE WAY FOR THE BLIND?

(handle of the door, handrail, any other profile)

#### ■ IT IS ADVISED TO CONSIDER THE PRACTICAL DIVISION OF THE BLINDS.

For example there is a sliding door and a fixed part next to each other.

## Why the Alumark External Blind is the right choice?

#### ■ WIDE RANGE OF INNOVATIVE AND HIGH-QUALITY SYSTEMS

#### ■ GREAT VALUE FOR MONEY

#### ■ EXTRUDED HEAD-BOX AND GUIDING SYSTEM (S-KOMPAKT EVO) – MORE PRECISE AND STRAIGHT PROFILES, AND JOINING OF PROFILES

#### ■ NO NEED FOR ANY SCREWS FOR THE INTEGRATION OF MOSQUITO-NETS OR OTHER ACCESSORIES

#### ■ EASY INSTALLATION – ELIMINATION OF ERRORS DURING THE INSTALLATION

#### ■ EASY OPERATION, MINIMAL MAINTANENCE

#### ■ NO PLASTIC PARTS EXPOSED TO THE SUN

#### ■ THE LADDER, THE LIFT-TAPE AND THE TURNING CORD OF THE BLINDS ARE MADE FROM KEVLAR REINFORCED TREVIRA: UV-RESISTANT, AND HIGH DURABILITY (LESS ABRASION BY FRICTION)

By developing our products, we always keep in mind, how we can integrate different systems more easily in a compact way.



## Self-supporting external blind system: S-Kompakt EVO

S-KOMPAKT EVO IS THE NEW AND DEVELOPED GENERATION OF THE SELF-SUPPORTING EXTERNAL BLIND SYSTEMS.

### THERMAL-BRIDGE FREE DESIGN

One of the main advantages of the self-supporting systems is that it allows us to create thermal-bridge free designs, where we are able to increase the energy efficiency, and we can prevent condensation and mold on the walls. Creating a healthier and more comfortable space in our house.

### SPECIAL AND PRECISE CASE-SYSTEM

Compared with other systems it is of great importance that the cover or the box is also from high quality extruded aluminium profiles and cast-aluminium side-caps, so that they are much more straight, robust and much more size-accurate.

### EASY INSTALLATION WITH LESS ERRORS

The system offers a much more easier installation and reduces the possibilities of an error during the installation.

### PRACTICAL FIXING

For the assembly the parts of the system or accessories do not require screws at all – the system components just need to be snapped together. (Of course the fixing on the window, or any other load-bearing structure still needs to be done with screws, or gluing).

### AESTHETIC APPEARANCE

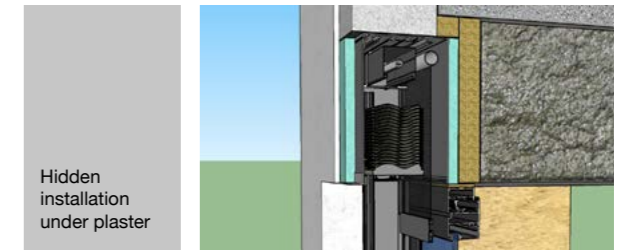
It can be ordered with visible cover-box (in this case the front cover is also working as a service-panel) or with hidden (under plaster or under facade cladding) box-system – so it can be adapted nicely to any kind of installation method or architectural design.

### COMPLETE SYSTEM

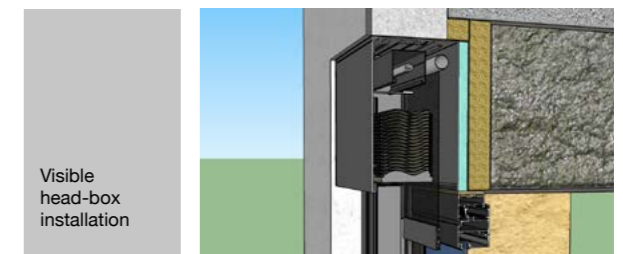
The blind is not a collection of „Lego“-pieces, what you have to assemble on site, but the blind is already pre-confectioned in the case-system, and pre-set in the factory – so that you only have to fix it on the window easily on the site.

### INSECT-MESH INTEGRATION

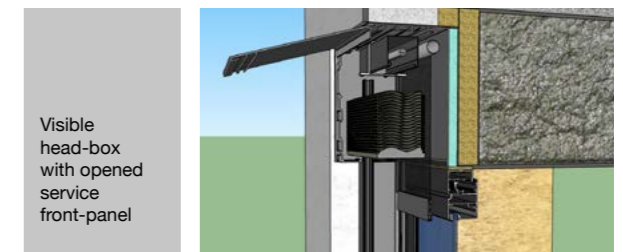
Thanks to the combi-guiding rails, the easy and aesthetic integration of a vertical, or a horizontal insect-mesh is also possible.



Hidden installation under plaster



Visible head-box installation



Visible head-box with opened service front-panel

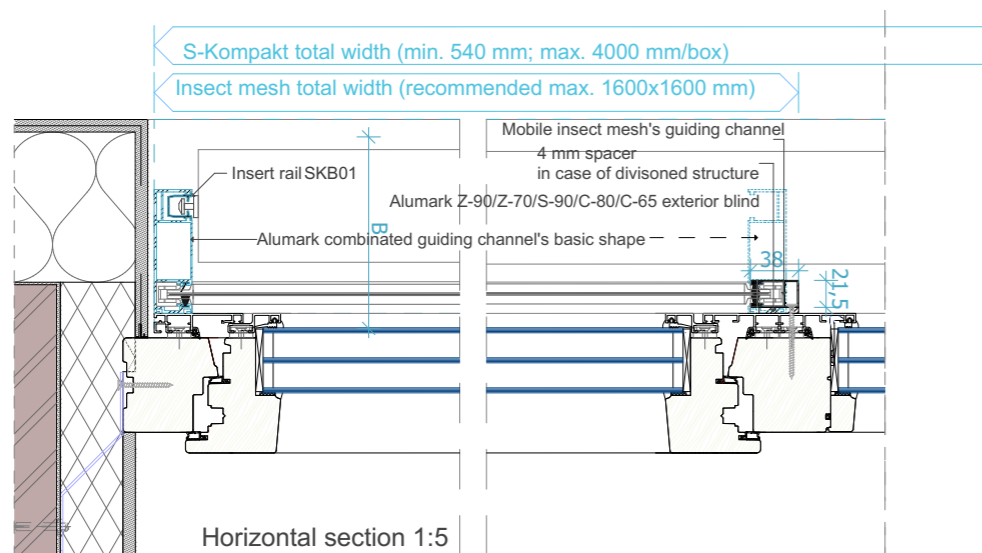
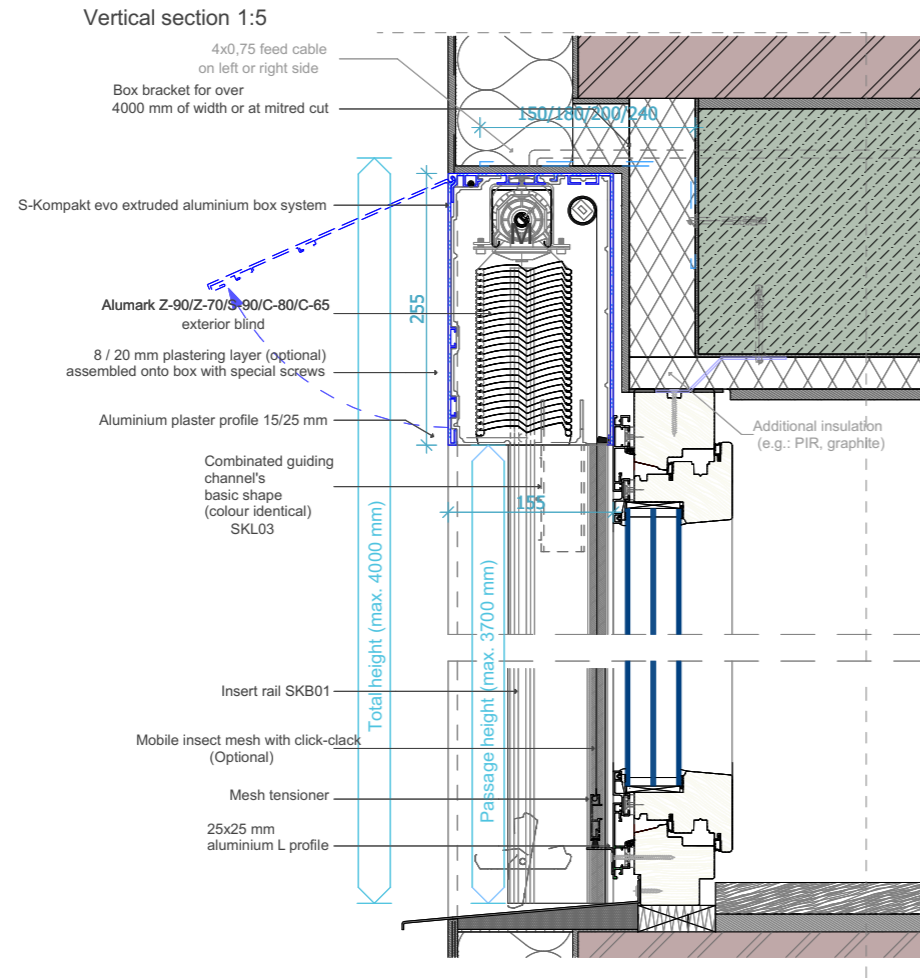
### APPLICATION:

Primary aspect is that the blind is attached to the window in a massive frame-system, where you only need to fix the guiding rails to the window (by that system we always use combi-guiding rails).

The head-box doesn't need to be fixed, it will be held by the guiding rails through the „neck-parts“ of the side caps. Advantage is, that it allows a totally thermal-bridge free design (not even point-like thermal-bridges appear by some holders, or screws).

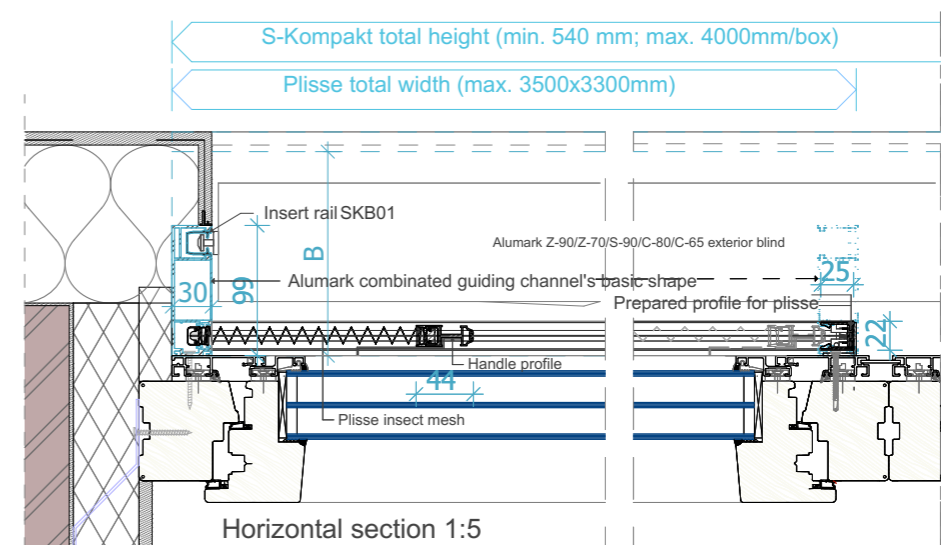
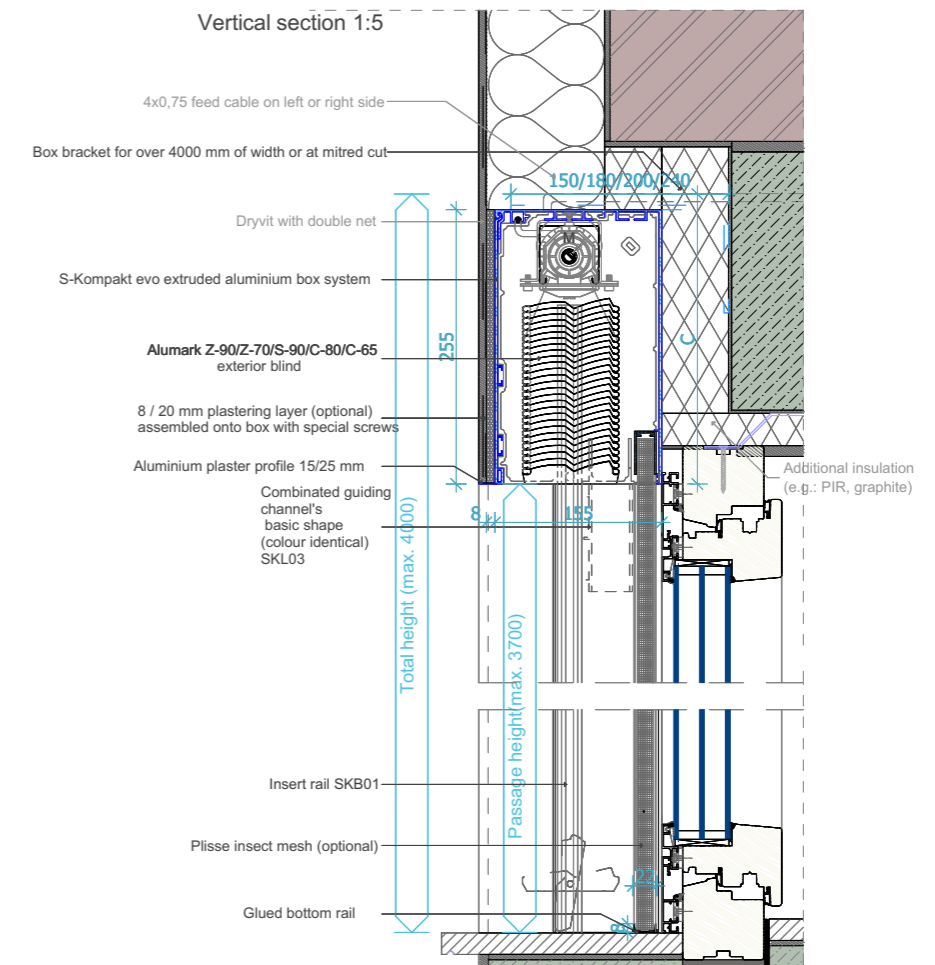
# S-Kompakt EVO

## VISIBLE BOX WITH MOBILE INSECT MESH



# S-Kompakt EVO

## HIDDEN BOX WITH PLISSE INSECT MESH



Archishade Kft.  
www.archishade.hu

+36 30 219 4740  
anlatkeres@archishade.hu  
f i y archishade\_official

 archishade  
TERVEZETT ÁRNYÉKOLÁS

Your distribution  
partner:

