



Creating healthy spaces

RENSON® solar shading & facade systems

patented technology

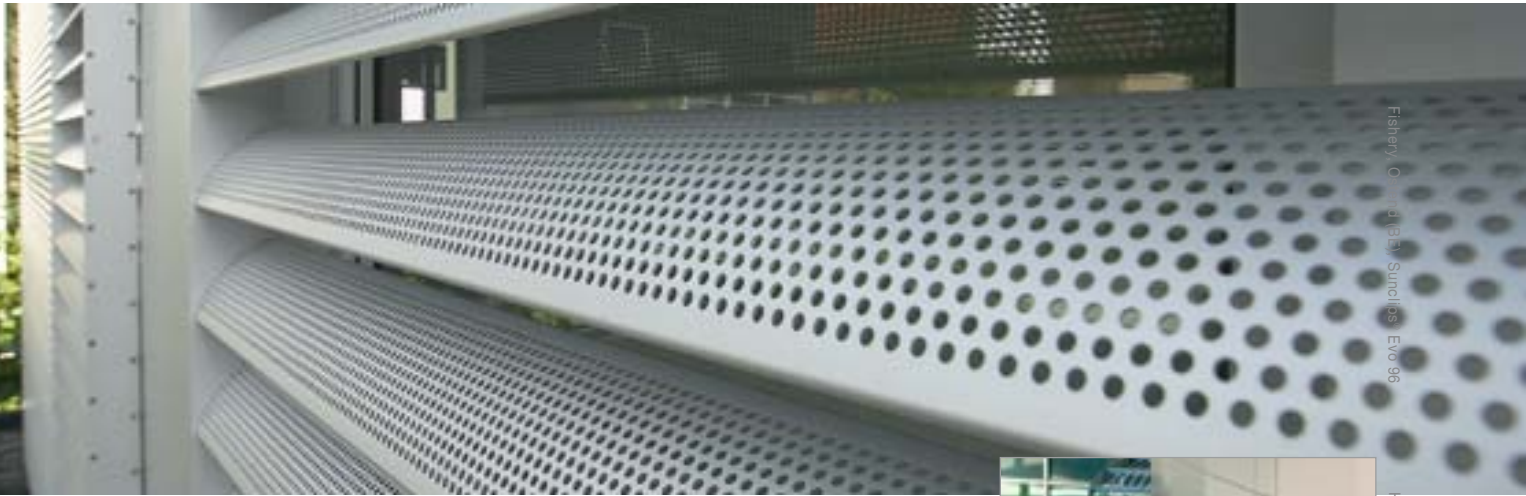


DOMESTIC USE



PROJECT USE

Sunclips®



Fishery, Opatowitz (BE), Sunclips® Evo 96

The Cirrus® Sunclips® solar shading system consists of light extruded aluminium c-shaped Sunclips® blades/profiles which can be installed in several ways between mullions or in already preassembled cassettes. Cirrus® Sunclips® can be installed horizontally, vertically or in curved shape (max. 30°) in order to obtain the required solar shading.

Installation

Cirrus® Sunclips® standard installation :

Horizontal or inclined fixed shading with the blades continuously positioned under, above or between the mullions. The system is attached to the building with fixing brackets that are premounted on the mullions.

Cirrus® Sunclips® cassettes :

Vertical, horizontal or inclined fixed sun shading with Sunclips® Evo 96 blades screwed between endplates. This system is delivered in completely preassembled modules (cassettes).

Cirrus® Sunclips® Patio :

This system consists of aluminium sliding or folding sunshading panels. The panels consist of a made-to-measure framework and can be supplied with full or punched Sunclips® Evo blades. This system can be delivered with manual, motorised or automatic control.

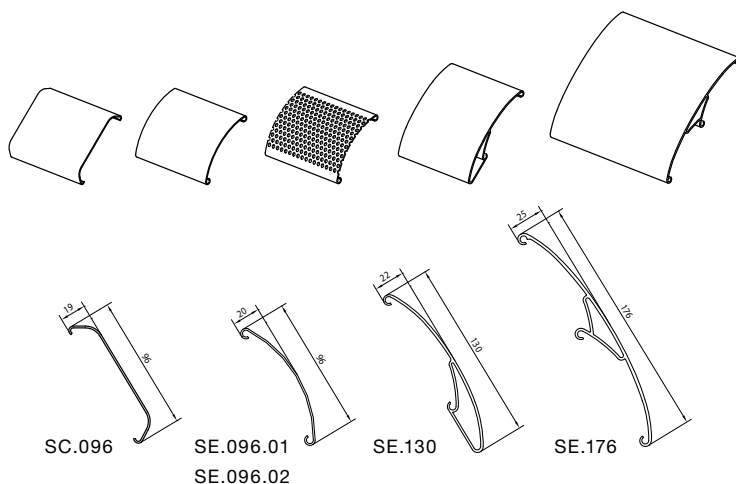


Hotel Mercure, Poznan (PL), Sunclips® Classic



Private Residence, Bugas (BE), Sunclips® Patio

Sunclips® blades



Raiffeisenlandesbank Kärnten, Klagenfurt (AT)



Ref. Icarus® • Casa de los Pinos, Murcia (ES)

The Icarus® sunprotection system consists of extruded aluminium aerofoil or rectangular blades which can be installed between various types of mullions in order to create optimal sunprotection. The solar shading can be realised with fixed or movable blades, in horizontal and vertical position. This system can also be used as cladding or visual barrier.

Installation

Icarus® Quickfix :

Easy to install structural solar shading thanks to the unique and patented system of clipping the blades onto supports mounted on the facade. The supports can be pre-mounted on the mullions.

Icarus® Fixed :

Horizontal, vertical or inclined fixed solar shading with the blades positioned between endplates. Inclination, projection and form can be made-to-measure, designed according to the project's needs.

Icarus® Movable :

Horizontal, vertical or inclined solar shading with movable blades. The blades are movable to 90 degrees, other inclinations or project requests can be designed with our project department. Available with manual or automatic control.

Icarus® Patio :

This system consists of aluminium sliding or folding solar shading panels. The panels consist of a made-to-measure framework and can be supplied with Icarus® Aero or Plano blades. This system can be delivered with manual or motorised control.

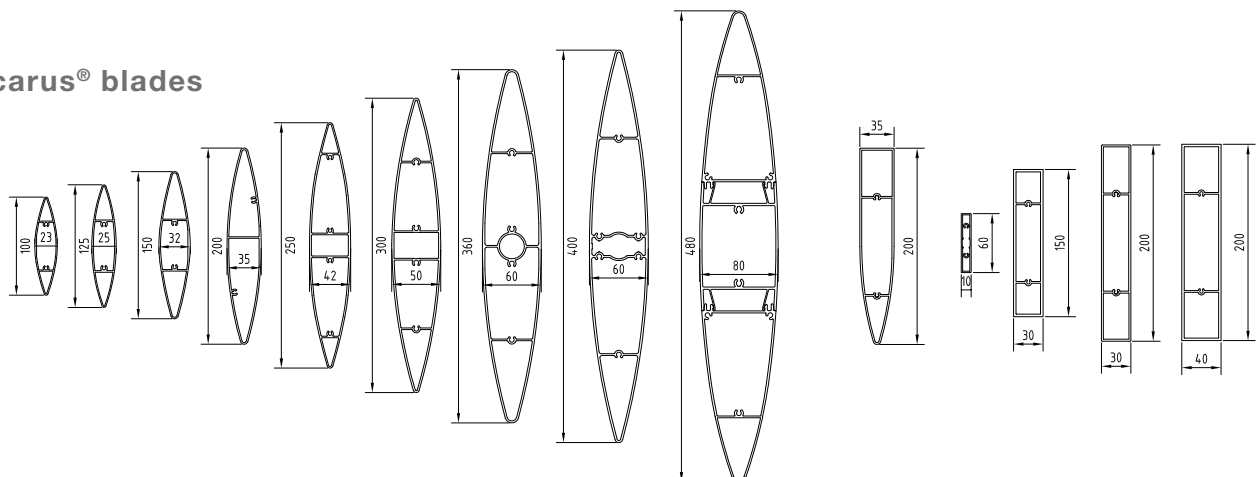


Ref. Icarus® • Webasto, Gilling (DE)



Ref. Icarus® • Edificio San Javier, Mallorca (ES)

Icarus® blades



The Continuous Louvres System Linius® consists of aluminium extruded blades/profiles which are clipped onto a support structure between two aluminium extruded mullions (carrier profiles). The same kinds of blades are used as in the ventilation louvres. They can be supplied made-to-measure or in stock lengths. Finishing is possible in satin anodised (natural colour) or powdercoated in more than 150 RAL colours. Special constructions such as curved Continuous Louvre Systems, systems with integrated doors and corner solutions are also possible.

Applications

Screening of installations

An application ideal for concealing unsightly equipment from view.

Ventilation

An assembly allowing the air flow in and out of a building whilst restricting the entry of rain. Here the Linius® offers by far the best aesthetic solution.

Screening against the weather

The Continuous Louvres System protects your installation from wind, rain and vermin.

Acoustics

Fitted with acoustic blades, the Linius® is ideal for the screening of noisy installations. The structure of the louvres system together with the noise damping qualities ensure that noise is strongly damped, while keeping good ventilation.

Aesthetic cladding

Applications in which the blade profile design is preferred to other applications.

Interior

Interior cladding, possibly incorporating backlighting.

Accessories

Doors

Integration of single or double doors with the same blades in custom made sizes, opening internally or externally.

Insect mesh

To prevent the entry of insects, birds or vermin, various types of mesh can be integrated.

Trims

Designed to offer a special aesthetic touch to the Continuous Louvres System.

Curved blades

The curved assembly system allows the architect's creativity to be transformed into reality.

Corner solutions

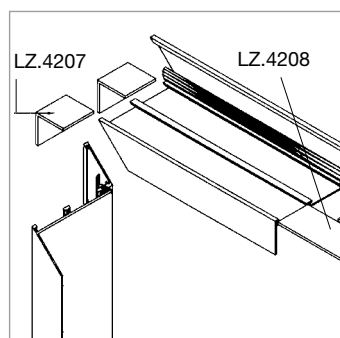
At corners, the aluminium profiles are cut to the exact corner angle.



Doors



Insect mesh



Trims



Curved blades



Corner solutions

Fixscreen®

Fixscreen® is the first solar shading screen that is both wind tight and insect proof. It is wind tight in every position, insect proof when closed and covers large surface areas of up to 18 m² by just one screen. Thanks to the intelligent zip-system, the side guides on the Fixscreen® ensure that the screen operates smoothly - in addition it means that the screen is held securely and does not distort when exposed to heavy wind loads. Rattling and ripped screens belong to the past! Fixscreen® can also be used for intensive ventilation purposes as insects cannot penetrate the screen.

Characteristics

- Intelligent wind tight guidance system
- Manually, motorised or remote control
- Silent operation
- Profiles and box available in any RAL colour
- Glass fibre fabric or polyester fabric available in all colours
- NEW: insect screen, transparent rain and wind screen
- Rubber seal strip to close with the threshold
- Fixscreen® 100^{EVO} with Connect & Go®-technology
- Maximum dimensions :
 - Fixscreen® 85 W 2500 x H 1800 mm
 - Fixscreen® 100^{EVO} W 5000 x H 1800 mm (coupled - electrical)
W 3000 x H 3500 mm
 - Fixscreen® 150 W 2000 x H 2700 mm (blackout fabric)
W 6000 x H 2700 mm (coupled - electrical)
W 6000 x H 3400 mm (electrical)
W 3200 x H 6000 mm (electrical)
W 6000 x H 4000 mm, Max. surface 16m² (electrical - blackout fabric)

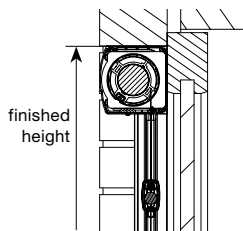
Applications

- For all window types: aluminium, timber, PVC
- For new buildings as well as refurbishment projects
- For private housing and projects: hospitals, offices, schools, ...
- External and internal application

Installation

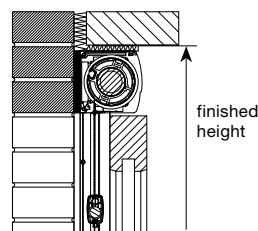
Installation method 1

Surface-mounted, outside, in front of the window



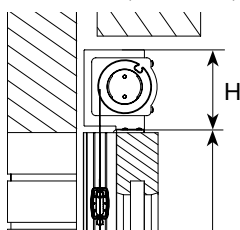
Installation method 4

Exposed, reversed box (standard without front cover)



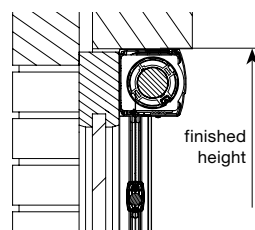
Installation method 5

Concealed, with brackets (without box)



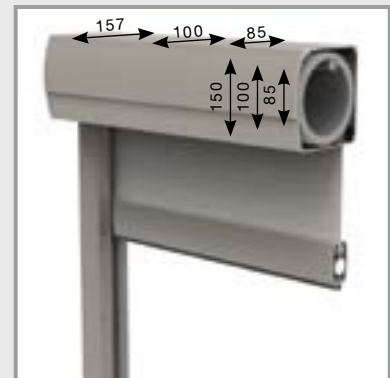
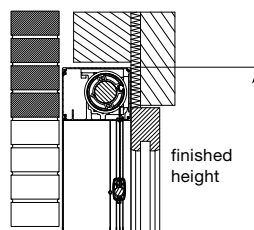
Installation method 6

Surface-mounted, inside, in front of the window



Installation method 7

NEW: Hidden installation, in front/above the window



Section Fixscreen® 100^{EVO}



Side channel Fixscreen® 100^{EVO}



Bottom rail Fixscreen® 100^{EVO}



Ref. Fixscreen®, Malmö (SE)

RENSON® - YOUR PARTNER FOR VENTILATION AND SUNPROTECTION



RENSON®, with its rich tradition in innovation and experience since 1909, is profiling itself as the undisputed European market leader in natural ventilation and sunprotection. Our headquarters are located in a remarkable building in Waregem (Belgium). The building is a working example of our Healthy Building Concept® and functions as a prototype, exhibiting our technological strengths.

RENSON®'s mission is the ongoing development, production and selling of unique and innovating products for natural ventilation and sunprotection. Our main objective is to improve the living conditions of people and at the same time cut energy costs. Our systems are environmentally friendly; sound absorbing and good for the health of all its users.

RENSON® HAS IT ALL :

- Our multidisciplinary R&D department is co-operating with leading European research organizations. The result of that is a complete range of innovative concepts and products.
- Our automatic powdercoating installation, anodisation unit, moulding centre, plastic injection moulding facilities, assembly department and warehouse are all accommodated within an area of 75,000 m². This degree of vertical integration allows RENSON® to ensure the quality consistency of its products.
- RENSON®'s headquarters, sales and marketing department and production plant are located in Belgium, but we also have plants and offices in France and in the UK. RENSON® has sales representatives active all over Europe and has set up a network of distributors throughout the world.
- The diversity and capability of our staff are our warranty for correct solutions for each individual building project. The creation of constructive long term relationships with construction specialists is our priority.

RENSON® reserves the right to make technical changes to the products shown.
The latest brochures may be downloaded from www.renson.eu

RENSON® Contact - Export Dept. : Tel. 0032 56 62 71 11 • export@renson.net

RENSON® Ventilation NV • Industriezone 2 Vijverdam • Maalbeekstraat 10 • Belgium
8790 Waregem • Tel. 0032 (0)56 62 71 11 • Fax 0032 (0)56 60 28 51 • www.renson.eu

